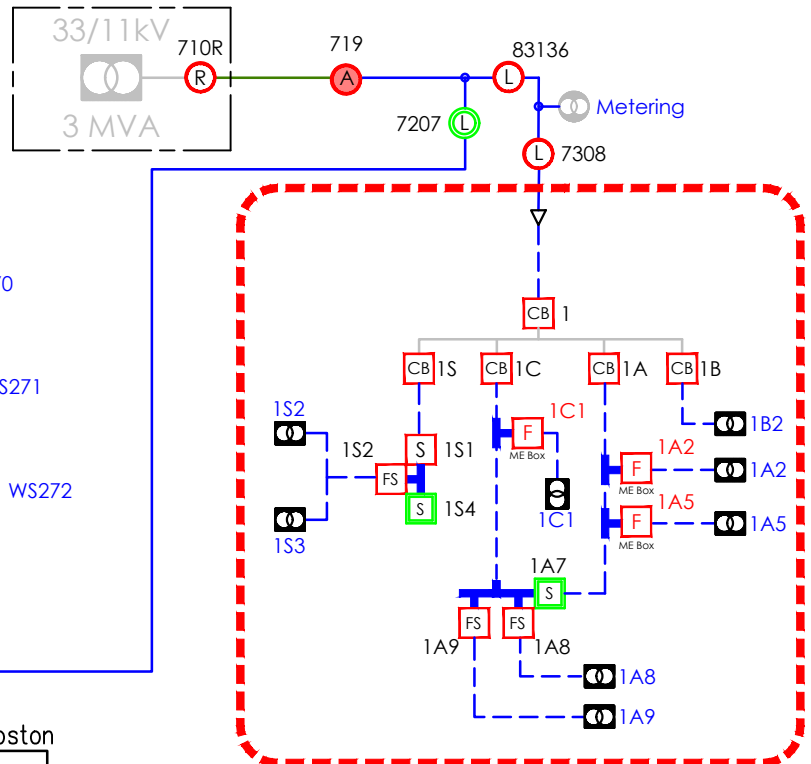


**REMARKABLES (REMK)**



**PRIVATE NETWORK**  
Contact Network Owner

Set Morven Ferry Regulators to Manual & all to Neutral Tap Position (0) before closing bypass ABS 84258

Remarkables - Gibbston  
Issue ABP  
26/05/26  
BY CKD APPD  
LMW DH DAT

**REMARKABLES - GIBBSTON 11kV**